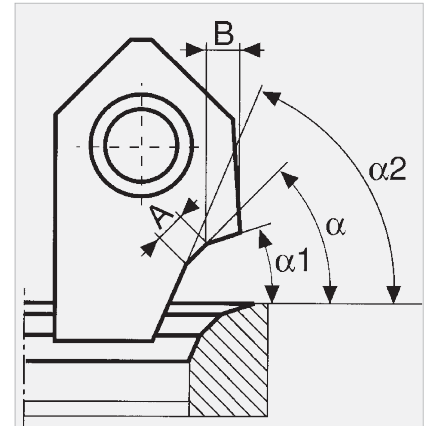
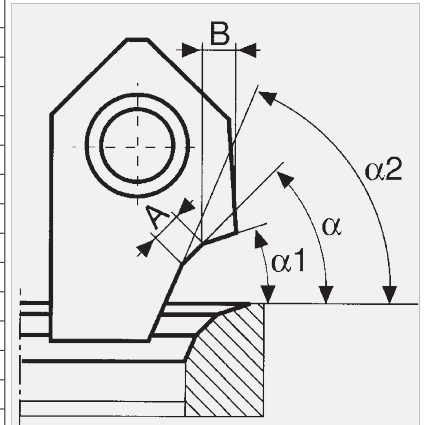


NEWEN REFERENCE	A = Seat Width		B = Top Width		$\alpha$	$\alpha 1$	$\alpha 2$
	mm	in	mm	in	Seat Angle	Top Angle	Throat Angle
In 1 WA1-NWN4183	0.8	.031	1.0	.039	45	32	60
In 2 WA1-NWN4445	1.0	.039	1.0	.039	45	15	60
In 3 WA1-NWN1101	1.0	.039	1.0	.039	45	25	60
In 4 WA1-NWN4028	1.0	.039	1.2	.047	45	30	60
In 5 WA1-NWN4984	1.0	.039	1.2	.047	45	38	52
In 6 WA1-NWN4983	1.0	.039	1.3	.051	45	30	75
In 7 WA1-NWN1102	1.0	.039	1.4	.055	45	25	60
In 8 WA1-NWN4588	1.0	.039	1.6	.063	45	25	52
In 9 WA1-NWN4029	1.0	.039	1.6	.063	45	35	52
In 10 WA1-NWN4030	1.0	.039	1.6	.063	45	35	55
In 11 WA1-NWN4031	1.0	.039	1.6	.063	45	35	60
In 12 WA1-NWN4980	1.0	.039	1.6	.063	45	38	65
In 13 WA1-NWN4017	1.0	.039	1.8	.071	45	15	60
In 14 WA1-NWN4981	1.0	.039	1.8	.071	45	20	75
In 15 WA1-NWN1103	1.0	.039	1.8	.071	45	25	60
In 16 WA1-NWN4090	1.0	.039	1.8	.071	45	30	60
In 17 WA1-NWN4303	1.0	.039	2.0	.079	45	30	60
In 18 WA1-NWN4087	1.0	.039	2.0	.079	45	37	52
In 19 WA1-NWN4903	1.0	.039	2.54	.100	45	37	58
In 20 WA1-NWN4904	1.0	.039	2.54	.100	45	37	64
In 21 WA1-NWN1105	1.0	.039	3.0	.118	45	25	60
In 22 WA1-NWN4451	1.0	.039	3.0	.118	45	30	60
In 23 WA1-NWN4182	1.2	.047	1.2	.047	45	30	60
In 24 WA1-NWN1122	1.2	.047	1.4	.055	45	25	60
In 25 WA1-NWN4016	1.2	.047	1.8	.071	45	15	60
In 26 WA1-NWN4032	1.3	.051	1.0	.039	45	30	60
In 27 WA1-NWN4221	1.3	.051	1.2	.047	45	30	60
In 28 WA1-NWN4480	1.3	.051	1.6	.063	45	30	60
In 29 WA1-NWN4091	1.3	.051	1.8	.071	45	30	60
In 30 WA1-NWN4034	1.3	.051	2.0	.079	45	30	52
In 31 WA1-NWN4035	1.3	.051	2.0	.079	45	30	60
In 32 WA1-NWN4975	1.3	.051	2.0	.079	45	35R1	56
In 33 WA1-NWN4033	1.3	.051	2.0	.079	45	37	52
In 34 WA1-NWN1141	1.4	.055	1.0	.039	45	25	60
In 35 WA1-NWN4036	1.4	.055	1.0	.039	45	30	60
In 36 WA1-NWN1142	1.4	.055	1.4	.055	45	25	60
In 37 WA1-NWN4093	1.4	.055	2.0	.079	45	30	60
In 38 WA1-NWN4109	1.5	.059	1.0	.039	45	15	60
In 39 WA1-NWN4094	1.5	.059	1.0	.039	45	30	60
In 40 WA1-NWN4982	1.5	.059	1.2	.047	45	38	52
In 41 WA1-NWN4978	1.5	.059	1.3	.051	45	30	75
In 42 WA1-NWN4261	1.5	.059	1.4	.055	45	15	60
In 43 WA1-NWN4993	1.5	.059	1.4	.055	45	20	75
In 44 WA1-NWN4241	1.5	.059	1.4	.055	45	25	52
In 45 WA1-NWN4003	1.5	.059	1.4	.055	45	25	60
In 46 WA1-NWN4216	1.5	.059	1.4	.055	45	30	60
In 47 WA1-NWN4025	1.5	.059	1.8	.071	45	15	60
In 48 WA1-NWN4077	1.5	.059	1.8	.071	45	30	52
In 49 WA1-NWN4038	1.5	.059	1.8	.071	45	30	60
In 50 WA1-NWN4037	1.5	.059	1.8	.071	45	37	52
In 51 WA1-NWN4015	1.5	.059	2.0	.079	45	15	60
In 52 WA1-NWN4177	1.5	.059	2.0	.079	45	30	60
In 53 WA1-NWN4986	1.5	.059	3.0	.118	45	30	60
In 54 WA1-NWN1161	1.6	.063	1.0	.039	45	25	60
In 55 WA1-NWN4039	1.6	.063	1.0	.039	45	30	60
In 56 WA1-NWN4135	1.6	.063	1.2	.047	45	30	52



	NEWEN REFERENCE	A = Seat Width		B = Top Width		$\alpha$	$\alpha 1$	$\alpha 2$
		mm	in	mm	in	Seat Angle	Top Angle	Throat Angle
In 1	WA1-NWN4136	1.6	.063	1.2	.047	45	30	60
In 2	WA1-NWN4391	1.6	.063	1.4	.055	45	30	60
In 3	WA1-NWN1162	1.6	.063	1.4	.055	45	25	60
In 4	WA1-NWN4481	1.6	.063	1.6	.063	45	15	60
In 5	WA1-NWN4482	1.6	.063	1.6	.063	45	30	52
In 6	WA1-NWN1163	1.6	.063	1.8	.071	45	25	60
In 7	WA1-NWN4361	1.6	.063	1.8	.071	45	30	52
In 8	WA1-NWN4117	1.6	.063	2.0	.079	45	15	60
In 9	WA1-NWN4266	1.6	.063	2.0	.079	45	30	52
In 10	WA1-NWN4040	1.6	.063	2.0	.079	45	30	60
In 11	WA1-NWN4258	1.6	.063	3.0	.055	45	30	60
In 12	WA1-NWN4479	1.7	.067	1.8	.071	45	32	55
In 13	WA1-NWN4007	1.8	.071	1.0	.039	45	30	60
In 14	WA1-NWN4041	1.8	.071	1.6	.063	45	30	60
In 15	WA1-NWN4483	1.8	.071	3.0	.118	45	30	60
In 16	WA1-NWN4145	1.9	.075	0.8	.032	45	30	52
In 17	WA1-NWN4299	1.9	.075	1.2	.047	45	30	52
In 18	WA1-NWN4306	1.9	.075	1.2	.047	45	30	60
In 19	WA1-NWN4169	1.9	.075	1.4	.055	45	30	60
In 20	WA1-NWN4339	1.9	.075	1.6	.063	45	30	60
In 21	WA1-NWN4271	1.9	.075	1.8	.071	45	25	52
In 22	WA1-NWN4146	1.9	.075	1.8	.071	45	30	52
In 23	WA1-NWN4484	1.9	.075	2.0	.079	45	30	52
In 24	WA1-NWN4042	1.9	.075	2.0	.079	45	30	60
In 25	WA1-NWN4012	2.0	.079	1.0	.039	45	15	60
In 26	WA1-NWN1201	2.0	.079	1.0	.039	45	25	60
In 27	WA1-NWN4043	2.0	.079	1.2	.047	45	30	60
In 28	WA1-NWN4987	2.0	.079	1.2	.047	45	38	52
In 29	WA1-NWN4988	2.0	.079	1.2	.047	45	38	65
In 30	WA1-NWN4989	2.0	.079	1.4	.055	45	15	60
In 31	WA1-NWN4990	2.0	.079	1.4	.055	45	20	75
In 32	WA1-NWN1202	2.0	.079	1.4	.055	45	25	60
In 33	WA1-NWN4328	2.0	.079	1.4	.055	45	30	60
In 34	WA1-NWN4006	2.0	.079	1.5	.059	45	30	60
In 35	WA1-NWN4991	2.0	.079	1.6	.063	45	30	60
In 36	WA1-NWN4236	2.0	.079	1.6	.063	45	30	70
In 37	WA1-NWN4485	2.0	.079	1.6	.063	45	30	75
In 38	WA1-NWN4338	2.0	.079	1.78	.070	45	30	55
In 39	WA1-NWN1203	2.0	.079	1.8	.071	45	25	60
In 40	WA1-NWN4097	2.0	.079	2.0	.079	45	30	60
In 41	WA1-NWN4486	2.2	.087	0.6	.024	45	30	60
In 42	WA1-NWN4343	2.2	.087	2.0	.079	45	30	60
In 43	WA1-NWN4021	2.3	.091	1.0	.039	45	15	60
In 44	WA1-NWN4022	2.3	.091	1.8	.071	45	15	60
In 45	WA1-NWN4348	2.3	.091	2.0	.079	45	30	60
In 46	WA1-NWN4992	2.4	.094	1.3	.051	45	30	75
In 47	WA1-NWN1252	2.5	.098	1.4	.055	45	25	60
In 48	WA1-NWN1253	2.5	.098	1.8	.071	45	25	60
In 49	WA1-NWN4487	2.5	.098	2.0	.079	45	30	60
In 50	WA1-NWN1302	3.0	.118	1.4	.055	45	25	60
In 51	WA1-NWN1303	3.0	.118	1.8	.071	45	25	60
In 52								
In 53								
In 54								
In 55								
In 56								



	NEWEN REFERENCE	A = Seat Width		B = Top Width		$\alpha$	$\alpha 1$	$\alpha 2$
		mm	in	mm	in	Seat Angle	Top Angle	Throat Angle
In 1	WA1-NWN2102	1.0	.039	1.4	.055	30	15	60
In 2	WA1-NWN4999	1.0	.039	1.4	.055	30	23	52
In 3	WA1-NWN3062	1.0	.039	1.6	.063	30	20	52
In 4	WA1-NWN2103	1.0	.039	1.8	.071	30	15	60
In 5	WA1-NWN2000	1.0	.039	2.5	.098	30	15	60
In 6	WA1-NWN3245	1.2	.047	1.0	.039	30	15	60
In 7	WA1-NWN3023	1.3	.051	1.0	.039	30	15	45
In 8	WA1-NWN3065	1.3	.051	2.0	.079	30	15	45
In 9	WA1-NWN3061	1.3	.051	2.0	.079	30	15	60
In 10	WA1-NWN3068	1.5	.059	1.4	.055	30	15	45
In 11	WA1-NWN2152	1.5	.059	1.4	.055	30	15	60
In 12	WA1-NWN4998	1.5	.059	1.4	.055	30	23	52
In 13	WA1-NWN3064	1.5	.059	1.8	.071	30	15	45
In 14	WA1-NWN3016	1.5	.059	1.8	.071	30	15	52
In 15	WA1-NWN2153	1.5	.059	1.8	.071	30	15	60
In 16	WA1-NWN3024	1.5	.059	2.0	.079	30	0	60
In 17	WA1-NWN3200	1.5	.059	2.0	.079	30	15	60
In 18	WA1-NWN3025	1.5	.059	3.0	.118	30	20	60
In 19	WA1-NWN3078	1.6	.063	1.2	.047	30	15	45
In 20	WA1-NWN3194	1.6	.063	1.8	.071	30	15	45
In 21	WA1-NWN3195	1.6	.063	1.8	.071	30	15	52
In 22	WA1-NWN3026	1.6	.063	2.0	.079	30	15	45
In 23	WA1-NWN3067	1.6	.063	2.0	.079	30	15	60
In 24	WA1-NWN4997	1.6	.063	2.2	.087	30	15	60
In 25	WA1-NWN3027	1.8	.071	1.4	.055	30	15	60
In 26	WA1-NWN3146	1.8	.071	2.0	.079	30	15	45
In 27	WA1-NWN3072	1.9	.075	1.0	.039	30	15	45
In 28	WA1-NWN3010	1.9	.075	1.8	.071	30	15	60
In 29	WA1-NWN3029	1.9	.075	2.0	.079	30	15	60
In 30	WA1-NWN3196	2.0	.079	1.2	.047	30	15	45
In 31	WA1-NWN2202	2.0	.079	1.4	.055	30	15	60
In 32	WA1-NWN4995	2.0	.079	1.4	.055	30	23	52
In 33	WA1-NWN2203	2.0	.079	1.8	.071	30	15	60
In 34	WA1-NWN4996	2.0	.079	1.9	.075	30	15	60
In 35	WA1-NWN3084	2.0	.079	2.0	.079	30	15	45
In 36	WA1-NWN3198	2.2	.087	2.0	.079	30	15	60
In 37	WA1-NWN3226	2.4	.095	1.4	.055	30	15	70
In 38	WA1-NWN2252	2.5	.098	1.4	.055	30	15	60
In 39	WA1-NWN2253	2.5	.098	1.8	.071	30	15	60
In 40	WA1-NWN3032	2.5	.098	2.0	.079	30	15	60
In 41	WA1-NWN2254	2.5	.098	2.2	.087	30	15	60
In 42	WA1-NWN3031	2.8	.110	2.0	.079	30	0	60
In 43	WA1-NWN2302	3.0	.118	1.4	.055	30	15	60
In 44	WA1-NWN3199	3.8	.150	3.0	.118	30	20	45
In 45								
In 46								
In 47								
In 48								
In 49								
In 50								
In 51								
In 52								
In 53								
In 54								
In 55								
In 56								

